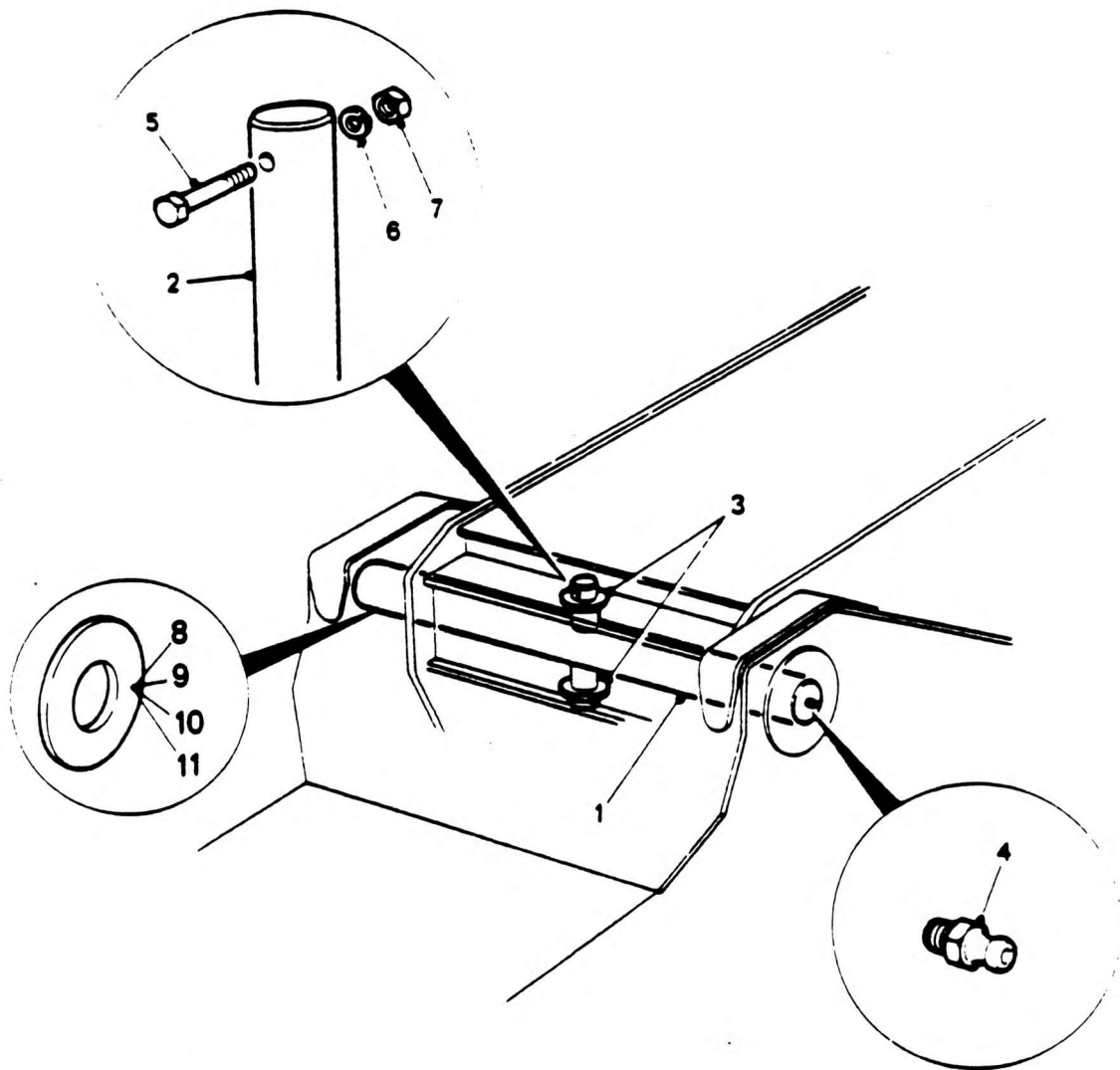


BOOM PIVOT SHAFT INSTALLATION



NO	PART NO.	QTY.	DESCRIPTION	NO.	PART NO.	QTY.	DESCRIPTION
1	4-810-990031	1	Pilot Shaft				
2	2-179-900689	1	Shaft				
3	4-705-992170	2	Pin Support Plate				
4	7-440-000000	2	Grease Nipple 1/4" NPT				
5	7-126-191750	2	Hex Head Bolt M10 x 50mm Long				
6	7-951-190210	2	Spring Washer Dia.10				
7	7-661-190003	2	Hex Nut M10				
8	6-705-991033	2	Shim 127 OD x 1.6mm				
9	6-705-991034	2	Shim 127 OD x 3mm				
10	6-705-991035	2	Shim 127 OD x 5mm				
11	6-705-991036	2	Shim 127 OD x 6mm				